

# High Vacuum Pumping System

Scroll is reliable  
toughness

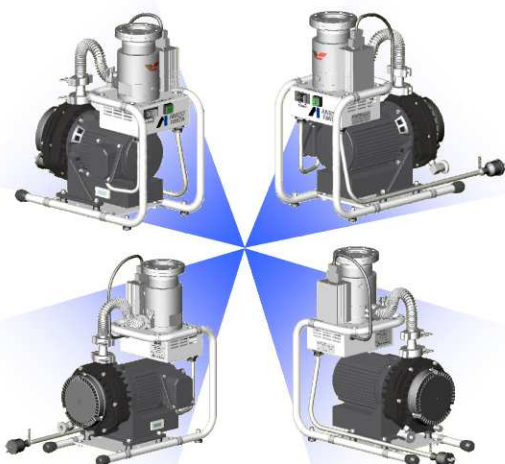
Turbo molecular pump  
high speed pumping



*Try to Dry*

- ◆ Environment friendly and easy maintenance dry pump
- ◆ Faster and stronger than Diaphragm pump
- ◆ Osaka Vacuum, Ltd. Supply reliable TMP
- ◆ Compact design and easy transfer

Model	VTU-070-BH
Scroll vacuum pump	ISP-90 (ANEST IWATA)
Turbo molecular pump	TG70F (Osaka Vacuum, Ltd.)
Ultimate pressure	10 <sup>-5</sup> (without baking)
Noise level	59dB(A)
Voltage	Single-phase 100V
Dimensions	235×436×475



**ANEST IWATA Corporation**

3176, Shinyoshida-cho, Kohoku-ku, Yokohama 223-8501 Japan

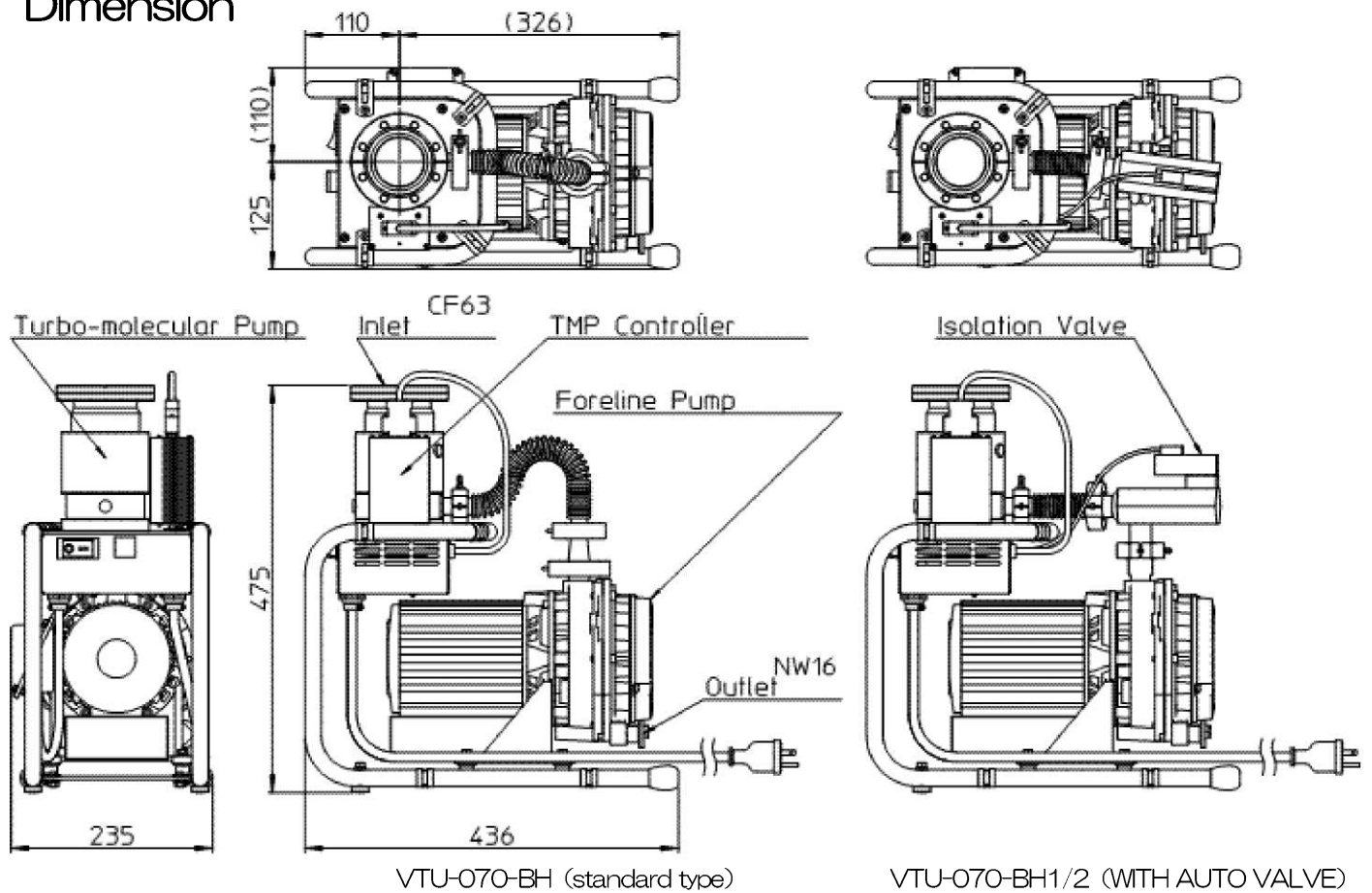
Telephone (81)45-591-1112

Facsimile (81)45-593-1539

URL <http://www.anest-iwata.co.jp>

E-mail [ispinfo@anest-iwata.co.jp](mailto:ispinfo@anest-iwata.co.jp)

## Dimension



Various types available

VTU - 070 - BH

BH	=STANDARD SINGLE PHASE AC100V/200V
BHA 1	=WITH AUTO VALVE SINGLE PHASE AC100V
BHA 2	=WITH AUTO VALVE SINGLE PHASE AC200V

## Application

- mass spectroscope   ■ surface analyzer   ■ X-ray analyzer   ■ laboratory use   ■ Accelerator
- synchrotron radiation facility   ■ leak test   ■ glove box   ■ roughing pump for TMP   ■ electron microscope

## Features

- Clean Discharge and Vacuum  
This high vacuum pumping system is completely dry system because it consists of oil-free scroll vacuum pump (ISP) and turbo molecular pump (TMP).
- Compact Design  
Since this pumping system is compact design and footprint is minimized, it can be installed near your vacuum system. It is easy to move.
- Handling  
Its controller has two ways to start to run TMP, manually or automatically\*. It can be chosen by the application and preference.  
※ In the case of automatic start, it is restricted by volume of chamber and pipes.

## Precaution on Usage

- This pumping system is suitable for clean processes only. Do not use explosive, flammable, toxic or corrosive substances or substances which contain chemicals, solvents or particles. ANEST IWATA will not perform maintenance work on pumps which have used hazardous substances.
- Use at ambient operation temperature in the range of 5°C to 30°C.