

# OUTLET



web site

## Line UP

Line up of NFPA type, HTM type and JIS type.

NFPA type: Conforming to NFPA 99 (2012)

HTM type

BS: Certified CE 5682:1998

DIN: Certified CE DIN 13260-2

## Safety

Outlets are designed with different shapes depending on the gas to avoid misconnection.

Since outlets are frequently touched, sanitary conditions are maintained by SIAA (ISO22196) antimicrobial coating (NFPA specification only).

# HTM-DIN-

## Model code

MD-O-DN-□-□-□-□

**Gas**  
 O:Oxygen  
 A:Medical Air  
 S:Surgical Air  
 V:Vacuum  
 T:Nitrous Oxide  
 N:Nitrogen  
 B:OXYGEN/NITROUS OXIDE

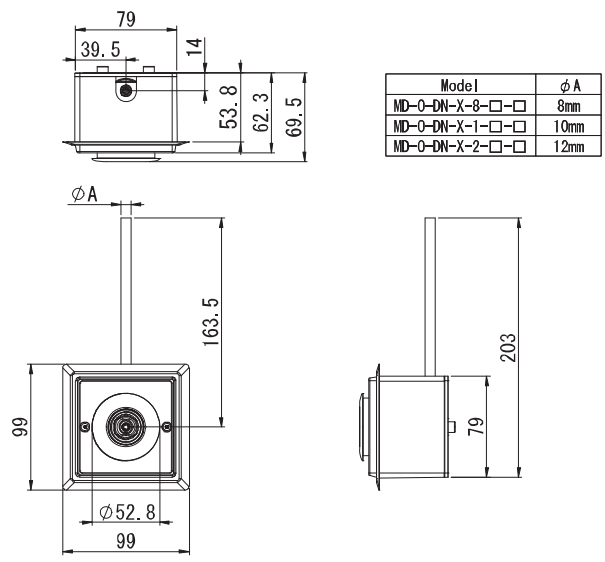
**Type**  
 X : with Box  
 B:Brass (without box)  
 Z:Brass /Zamac(without box)

**Pipe size**  
 8:8mm  
 1:10mm  
 2:12mm

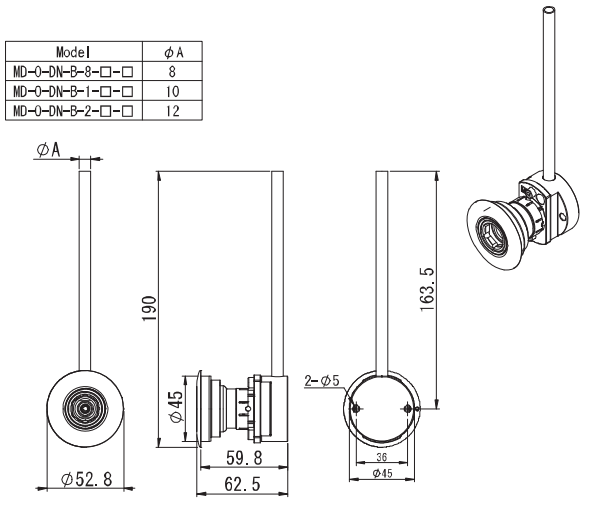
**Socket material**  
 M:Metal  
 B:Plastic and metal  
 P:Plastic



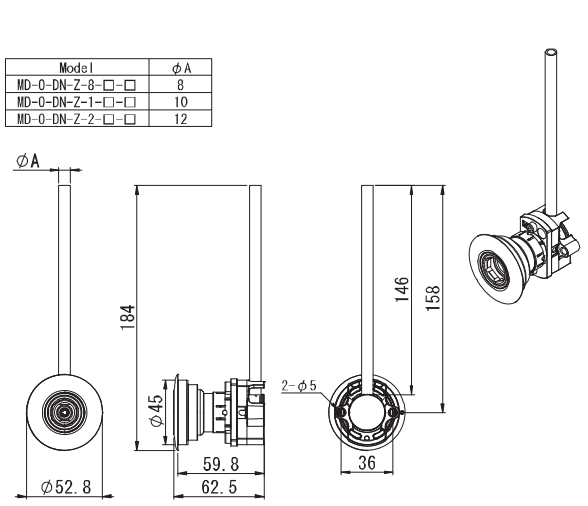
## Box Type



## Brass type(without box)



## Brass/Zamac (without box)



# HTM-BS-

## Model code

MD-O-BS-□-□-□-□

### Gas

- O:Oxygen
- A:Medical Air
- S:Surgical Air
- V:Vacuum
- T:Nitrous Oxide
- B:OXYGEN/NITROUS OXIDE

### Type

- X : with Box
- B:Brass (without box)
- Z:Brass /Zamac(without box)

### Pipe size

- 8:8mm
- 1:10mm
- 2:12mm

### Socket material

- M:Metal
- B:Plastic and metal
- P:Plastic



OUTLET

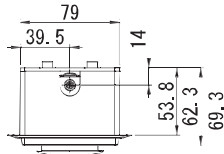
MANIFOLD

SHUT OFF VALVE

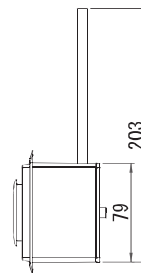
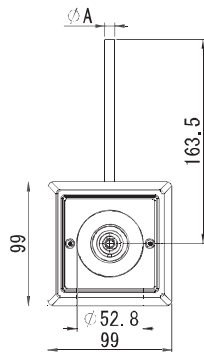
ALARM

AGSS/WAGD

## Box Type

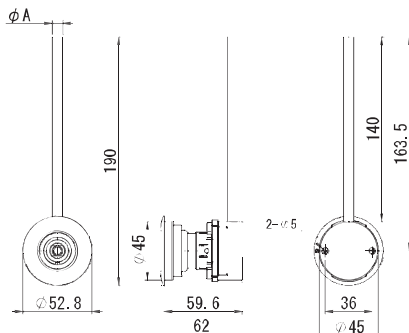


Model	φ A
MD-O-BS-X-8-□-□	8
MD-O-BS-X-1-□-□	10
MD-O-BS-X-2-□-□	12



## Brass type(without box)

Model	φ A
MD-O-BS-B-8-□-□	8
MD-O-BS-B-1-□-□	10
MD-O-BS-B-2-□-□	12



## Brass/Zamac (without box)

Model	φ A
MD-O-BS-Z-8-□-□	8
MD-O-BS-Z-1-□-□	10
MD-O-BS-Z-2-□-□	12

