

iwata

by ANEST IWATA

Custom Micron

AIRBRUSH SERIES

取扱説明書 | Operating Instruction Manual

ABSOLUTE PRECISION™

究極の精度



CM-C PLUS



CM-C



CM-B



CM-SB

Experienced airbrush users who demand absolute precision and unmatched extreme detail spray choose Iwata Custom Micron Series airbrushes. Every Custom Micron head system is custom matched and hand-tuned to meet Iwata's rigorous performance standards for superior atomization. Custom Micron is a one-of-a-kind airbrush experience with superb handling for extreme detail.

To maintain your Custom Micron at its peak performance, proper care and attention must be observed.

NEED ASSISTANCE ?

If you have any issues or warranty service questions, contact your local ANEST IWATA affiliate before returning to your place of purchase.

ANEST IWATA-MEDEA, INC.

Portland, Oregon U.S.A.
+1-503-253-7308 (M-F)
info@iwata-medea.com
www.iwata-airbrush.com

ANEST IWATA SOUTH-EAST ASIA CO., LTD.

Bangkok, Thailand
+66-(0)-2643-2870
www.anest-iwatasoutheastasia.com

ANEST IWATA SOUTH AFRICA (PTY) LTD.

Johannesburg, Republic of South Africa
+27-11-463-2169/2265/2223
www.anest-iwata.co.za

ANEST IWATA CORPORATION

Yokohama, Japan
+81-(0)45-591-1111
www.anest-iwata.co.jp

ANEST IWATA STRATEGIC CENTER

Cardano al Campo, Italy
+39-0331-733120
www.anest-iwataeu.com

ANEST IWATA SHANGHAI

Shanghai, China
+86-(0)21-6407-9713 / 15 / 16
www.anest-iwata-sh.com

ANEST IWATA RUS LLC

Moscow, Russia
+7-495-938-77-28
www.anestiwata.ru

ANEST IWATA AUSTRALIA PTY LTD.

Mt. Druitt, NSW
+61-(02)-9853-2000
www.anest-iwata.com.au

ANEST IWATA (U.K.) LTD.

Neots Cambs, England
+44-(0)1480-405419
www.anest-iwata.co.uk

ANEST IWATA MOTHERSON LTD.

Uttar Pradesh, India
+91-(0)120-4600500 / 14 / 17
www.aircompressors.com

CENTURY TRADING CO., LTD.

Seoul, Korea
82-2-2163-0300
www.centradng.co.kr

FEATURES

CUSTOM MATCHED HAND-TUNED HEAD SYSTEM

Every Custom Micron head system is custom matched and hand tuned to meet Iwata's rigorous performance standards for superior atomization.

A custom matched head system (#1) consists of four parts — needle crown cap (#1A); nozzle cap (#1B); nozzle (#1C); and the head nozzle base (#1D) — which are hand-tuned to work together. These components and the custom matching process create the Custom Micron's exacting performance.

ERGONOMIC MAIN LEVER

The ergonomic main lever enhances comfort during use for greater ease, control and less finger fatigue.

IWATA PISTOL-GRIP FILTER

Attaching directly to your airbrush and comfortable to hold, the Iwata Pistol-Grip Filter assists in delivering clean, dry air through its super-fine 5-micron filter. Built up moisture is evacuated through a spring-loaded release valve.

MAIN LEVER ADJUSTMENT

The needle spring adjuster (#8) gives you full control over the feel of the main lever's back and forth movement. The more you tighten, the greater the main lever resistance. The looser it's adjusted, the smoother the main lever will feel. Adjust to what feels comfortable to you.

NEEDLE TENSION ADJUSTMENT CUTAWAY

Using a small screwdriver you can easily adjust the needle packing screw (PTFE) (#4) to add or release tension on the needle to customize your Custom Micron experience.

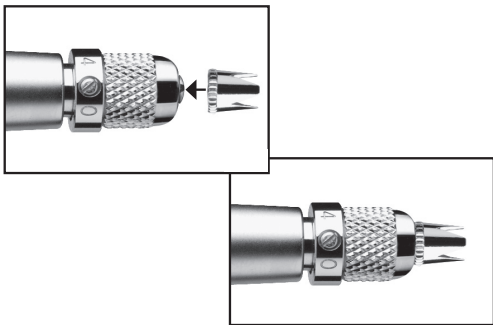
CROWN CAP (#1A)

The crown cap physically protects the needle while spraying very fine lines. When spraying larger areas or stippling with the Custom Micron, we suggest removing the crown cap and screwing it onto the crown cap dock.

PRESET WITH CROWN CAP DOCK (#12)

A preset is a threaded adjusting screw mounted behind the handle which limits the distance the main lever can be pulled back. This provides accurate paint volume control and is especially useful for repetitive, precision work.

When stippling or for any reason you have to remove your crown cap, simply screw it onto the crown cap dock located at the end of the preset so it doesn't get lost.

**QUICK FLUSH CUTAWAY HANDLE (#11B) (CM-C PLUS ONLY - OPTIONAL FOR CM-B, CM-C AND CM-SB)**

The quick flush cutaway handle allows quick paint clog removal without removing the handle or needle.

1. Grip the exposed needle chucking nut (#10) with your fingers.
2. Pull it back while simultaneously depressing the main lever.
3. Repeat this process several times until the airbrush is clog free and spraying normally.

- The increased paint flow past needle and nozzle tip removes many clogs.
- Don't let the needle "snap" back into place. This could damage the nozzle.

MICRO AIR CONTROL (MAC) VALVE (CM-C PLUS ONLY)

The MAC Valve enables infinite airflow control at the airbrush's head providing control between stipple, extreme detail and medium spray characteristics.

- Spray coarse stippling effects and increase to full atomization in a quick turn.
- Fine tune the airflow.
- Maximize paint atomization control.
- Open the valve fully during cleaning. The higher pressure pulls more paint through the airbrush.

GETTING STARTED

COMPRESSOR

The Custom Micron does not require a high pressure air source for most applications because lower pressures are best suited for ultra-fine, slow, high-detail spraying, ideally between 12 and 15 psi. Realizing the Custom Micron's full benefits requires an adjustable or regulated air source with an air storage tank. Other compressor considerations include the length of use while spraying and the environment, or amount of space, you spray in.

ASSEMBLY

1. Screw the air hose onto the compressor.
2. Screw the air hose onto the airbrush.
3. Adjust the pressure to between 12 and 15 psi to start.
4. Check for any air leaks in the compressor or air hoses.
5. Place a few drops of cleaning solution or water into the airbrush's bowl.
6. Point the airbrush away from you.
7. Press down on the main lever (#13) to start airflow through the airbrush.
8. Pull the main lever back, opening the airbrush's nozzle, spraying the water or cleaning solution to see how the Custom Micron sprays.

PAINT PREPARATION

For non-specific airbrush paints, proper preparation, including filtering the paint through a nylon mesh, is critical for best performance. Thin paint with its proper solvent, and make repeated passes across the work to build up the color. This improves your work's quality and decreases your airbrush's cleaning time.

- Custom Microns spray very thin paint best.
- Thin paint with its proper solvent.
- Filter paint through paint filters or mesh.

CAUTION

- **Always spray in well ventilated areas.**
- **Do not spray solvent based (flammable) paints around open flames.**
- **Use the appropriate respirator to safely filter out paint vapors particular to your specific paint type.**
- **Wear eye protection to prevent paint contact with eyes.**
- **Never exceed the airbrush's pressure limit (98 psi).**

GENERAL OPERATION

AIR PRESSURE

Working pressures can vary depending on the type of surface, the desired spray texture and the paint's viscosity.

Try using 12-15 psi to take full advantage of the Custom Micron's unique, spray characteristics.

 **WARNING**
Do not exceed 98 psi.

FINE-LINE SPRAY

1. Depress the main lever (#13) to start airflow.
2. Position the airbrush close to the surface, between 1/16 and 1/2 inch.
3. Pull the main lever back slightly to start paint flow.
 - A longer distance to the surface produces wider lines.
 - A shorter distance to the surface produces narrower lines.
 - Increased air pressure increases spray width.
 - Decreased air pressure decreases spray width.
 - The smallest lines are determined by skill and practice.

CAUTION

The needle and nozzle are very delicate. Even a slight bend on the needle's tip adversely effects the spray pattern.

WIDE-LINES AND BLENDING

1. Depress the main lever (#13).
2. Position the airbrush from 1/2 to 6 inches away from the surface.
3. Pull the main lever back much further to release more paint to cover the bigger area.
 - A longer distance to the surface produces wider lines.
 - A shorter distance to the surface produces narrower lines.
 - Increased air pressure increases spray width.
 - Decreased air pressure decreases spray width.
 - The Custom Micron's maximum usable line width is approximately 1-1/2 inches.

STIPLING

Iwata airbrushes are designed to produce a wide range of stippling textures.

1. Unscrew the crown cap (#1A) and screw onto the cap dock located on the end of the preset handle (#12).
2. Unscrew the nozzle cap (#1B).
3. Adjust the air pressure between 5 and 30 psi.
 - Low air pressure creates coarse stipples.
 - High air pressure provides fine stipple effects.
 - Paint viscosity also effects stippling texture.

MAINTENANCE**CLEANING THE AIRBRUSH BETWEEN COLORS**

1. Dump out the excess paint from color cup.
2. Rinse the cup with the appropriate cleaning solution.
3. Wipe out any leftover paint with paper towel.
4. Spray cleaner through the airbrush until it sprays clear.
5. Add the next color to the color cup.
6. Repeat cleaning procedure when finished.

CLEANING THE NEEDLE

1. Unscrew and remove the back handle (#11).
2. Loosen the needle chucking nut (#10) by hand.
3. Pull the needle (#9) out.
4. Clean the needle with a damp soft cloth by wiping only towards the sharp needle point.

⚠ CAUTION

Needles are extremely sharp and delicate. Be careful not to drop or damage your needle while cleaning. Only wipe the needle in a back to front direction so as not to puncture yourself.

5. With main lever depressed, gently re-insert the needle so as not to damage the sharp tip. The needle is fully seated when it comes to a complete stop.

⚠ WARNING

Do not use excessive force.

6. Tighten the needle chucking nut by hand to hold needle in place.

⚠ WARNING

Do not over tighten.

7. Pull the main lever back and forth to visually confirm the needle's ability to move.
8. Screw the handle back on to the airbrush.

⚠ WARNING

The most probable time to damage the needle is when the needle passes through the main lever (#13) and through the needle packing set (#4).

If the needle stops abruptly, retract and examine the main lever mechanism for proper assembly and re-insert the needle.

BEFORE EACH SESSION

Spray water or the appropriate paint solvent through the airbrush to make sure the airbrush is working properly.

AFTER EACH SESSION OR IF YOUR AIRBRUSH IS CLOGGED

1. Increase the air pressure.
2. Spray cleaning solution for a short time.
3. Clean the needle if necessary.

This cleaning method helps clean the paint passage, the nozzle, and the needle thoroughly.

CAUTION

NEVER soak your entire airbrush in any liquid. NEVER store your airbrush with spray medium or cleaning agents in the fluid cup.

LUBRICATING THE NEEDLE PACKING (PART OF #4)

If your main lever (#13) does not move backward and forward smoothly, lubricate the needle packing (#4) with Iwata Lube.

1. Unscrew the handle (#11).
2. Loosen the needle chucking nut (#10).
3. Remove the needle (#9).
4. Place only one drop of Iwata Lube where the taper of the needle begins and spread evenly around tapered edge.
5. Depress the main lever, then reinstall the needle gently into the airbrush until you feel a positive stop.

6. Tighten the needle chucking nut.
7. Screw the handle onto the airbrush body.

CAUTION

DO NOT over-lube the needle; transferring excess lube into the nozzle may cause severe paint flow problems.

DO NOT use light machine oil or WD-40 for lubrication. These lubes cause the needle to stick when it moves through the needle packing and can also get into the air system.

LUBRICATING THE AIR VALVE O-RING (#14B)

If your main lever (#13) is slow to rise, lubricate the air valve O-ring.

1. Unscrew the handle (#11).
2. Unscrew the needle chucking nut (#10).
3. Remove the needle (#9).
4. Unscrew the needle spring adjuster (#8).
5. Remove the needle spring (#7).
6. Remove the needle chucking guide (#5).
7. Pull the main lever up and out.
8. Use tweezers to pull out the air valve piston (#14A).

9. Clean the valve piston with a cotton swab.
10. Clean the hole at the bottom of the main lever housing with a cotton swab. Clean until cotton swab comes out clean.
11. Place 1 drop of Iwata Lube on the blunt end of the needle and insert into the valve piston shaft. Move around to coat the air valve O-ring.
12. Insert the valve piston back into the hole at the bottom of the main lever housing.
13. Place the main lever back into the main lever housing.
14. Press the main lever up and down a few times. It should spring back up smoothly when depressed.
15. Insert the needle chucking guide into the airbrush body.
 - a. Twist to position the small tab on the auxiliary lever as shown in the parts guide.
16. Place the needle spring over the needle chucking guide.
17. Screw the needle spring adjuster into the airbrush body. The more you screw it in, the greater the main lever resistance. The looser it's adjusted, the smoother the main lever feel (your personal preference).
18. Push down on the main lever at least once.
19. Push down on the main lever and carefully insert the needle.

WARNING

This is the most probable time to bend the needle point.

20. Screw the needle chucking nut onto the needle chucking guide
21. Screw the handle back into the airbrush body

CAUTION

DO NOT over-lube the air valve O-ring.

DO NOT use light machine oil or WD-40 for lubrication. These lubes cause the needle to stick when it moves through the needle packing and can also get into the air system.

If it becomes absolutely necessary to dismantle the airbrush remember that most situations, unless otherwise directed, do not require tools.

TROUBLESHOOTING PROCEDURES

SYMPTOM	PROBLEM	SOLUTION
Bubbles in Color Cup or Bottle	Loose nozzle cap	Tighten nozzle cap (#1B) finger tight
	Improper nozzle to head nozzle base connection*	See head system (#1) to reseal the nozzle
	Cracked or damaged nozzle	See head system (#1) to replace the head system
Double Line	Dried paint on needle tip (tip-dry)	See Cleaning the Needle (page 10)
	Dirty airbrush	See Cleaning the Airbrush Between Colors (page 10) See Cleaning the Needle (page 10)
	Debris on nozzle tip	See head system (#1) and clean the nozzle (#1C)
	Bent needle	See needle (#9) to replace needle
	Cracked or damaged nozzle	See head system (#1) to replace the head system
Not Spraying	Loose needle chucking nut (#10)	Finger tighten
	Needle stuck	Pull out / break free the needle
	Improper air pressure	See specific compressor instructions to raise or lower the air pressure
	Paint too thick	See Paint Preparation (page 7)
	Clogged nozzle	See head system (#1) and clean the nozzle (#1C)
	Cracked or damaged nozzle	See head system (#1) to replace the head system

CAUTION

* The most likely time to damage the nozzle (#1C) is upon removal from the airbrush. Because the head system can be removed entirely, the nozzle does not need to be removed at all. If the nozzle is never removed, you do not have to worry about “improper nozzle to head nozzle base connections”.

TROUBLESHOOTING PROCEDURES		
SYMPTOM	PROBLEM	SOLUTION
Skipping	Dried paint on needle tip (tip-dry)	See Cleaning the Needle (page 10)
	Paint too thick	See Paint Preparation (page 7)
	Improper nozzle to head nozzle base connection*	See head system (#1) to reseal the nozzle
	Dirty airbrush	See Cleaning the Airbrush Between Colors (page 10) See Cleaning the Needle (page 10)
	Cracked or damaged nozzle	See head system (#1) to replace the head system
Spattering	Dried paint on needle tip (tip-dry)	See Cleaning the Needle (page 10)
	Paint build-up in crown cap	Unscrew crown cap (#1A) and clean
	Air pressure too low	See specific compressor instructions to raise the air pressure
	Paint too thick	See Paint Preparation (page 7)
	Dirty airbrush	See Cleaning the Airbrush Between Colors (page 10) See Cleaning the Needle (page 10)
Main Lever Sticks (Back and Forth)	Dirty airbrush	See Cleaning the Airbrush Between Colors See Cleaning the Needle (page 10)
Main Lever Sticks (Up and Down)	Paint on air valve packing o-ring (#14B)	See Lubricating the Air Valve O-Ring (page 11)

⚠ CAUTION

*The most likely time to damage the nozzle (#1C) is upon removal from the airbrush. Because the head system can be removed entirely, the nozzle does not need to be removed at all. If the nozzle is never removed, you do not have to worry about “improper nozzle to head nozzle base connections”.

REPLACEMENT PARTS AND ACCESSORIES

MATCHED HEAD SYSTEM (#1)

Though engineered to last decades the components may still wear or become damaged and need replacement. If this happens, we recommend replacing the whole head system to keep the airbrush's exquisite performance at peak levels. However, replacing only the nozzle can be done by Iwata's highly trained technical department.

The set includes: needle crown cap (#1A); nozzle cap (#1B); nozzle (#1C); and the head nozzle base (#1D).

1. Unscrew the handle (#11).
2. Loosen the needle chucking nut (#10).
3. Gently pull the needle (#9) part way back. It doesn't need to be fully pulled out.
4. Unscrew the entire head system.

NOTE: Removing the head system the first time requires a good grip and some torque. Use the Iwata Soft Jaw Pliers or wrap a rubber band around the head system base and use a pair of standard pliers to unscrew it.

5. Screw the new head system onto the airbrush body until finger tight. Tighten a bit more snug with the Iwata Soft Jaw Pliers.

6. Push the needle all the way forward until it seats in place.
7. Tighten the needle chucking nut.
8. Screw the handle onto the airbrush body.

Keep a spare head system on hand for unforeseen accidents.

NEEDLE (#9)

Iwata needles are made with flexible, spring-steel which resists breakage and increases durability.

If the long, tapered, extremely fine needle point becomes severely bent, it must be straightened before pulling it back through the nozzle. If not, the bent needle might damage the nozzle as it's pulled through.

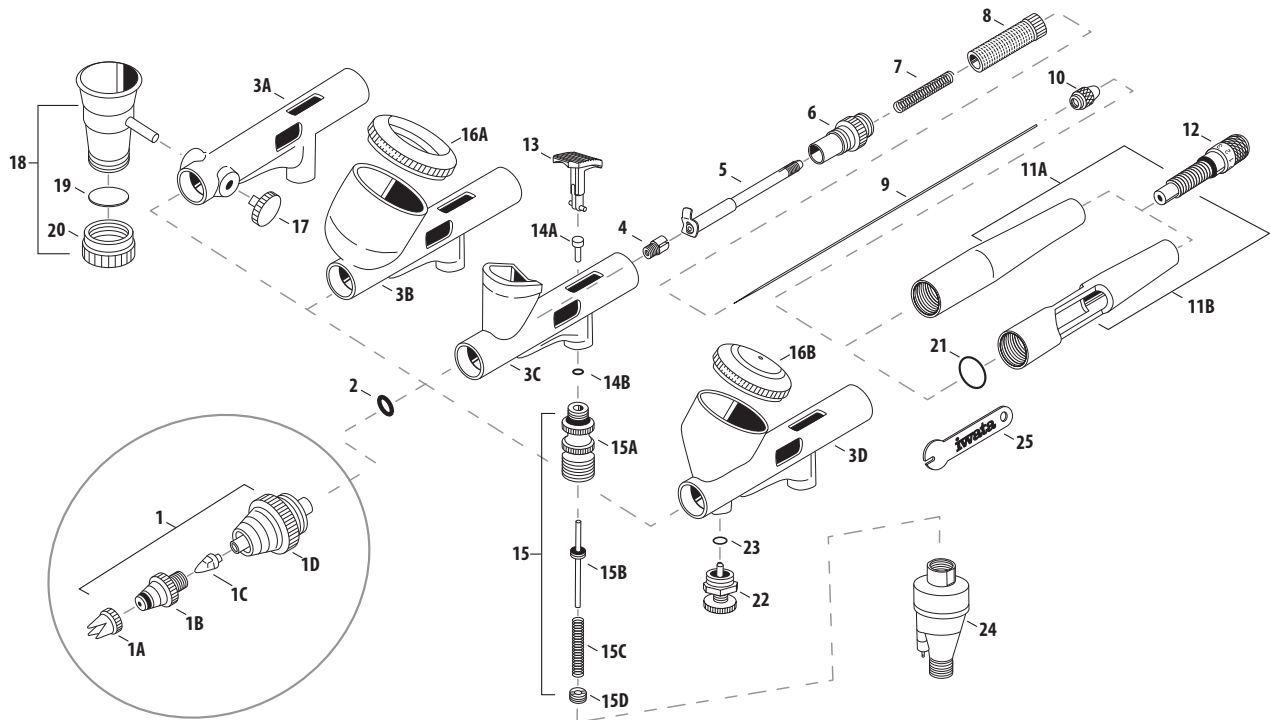
Keep a spare needle on hand for unforeseen accidents.

CAUTION

- Needles are sharp.
- Needle tips are bent easily.

QUICK DISCONNECT SETS (OPTIONAL ACCESSORY)

A quick disconnect joint is screwed onto the air hose and a quick disconnect adapter is screwed onto each airbrush. When using multiple airbrushes the quick disconnect joint facilitates changing airbrushes on the same air hose quickly.



IWATA CUSTOM MICRON AIRBRUSH SERIES (VERSION 2) REPLACEMENT PARTS

#	ITEM DESCRIPTION	PRICE CODE	ITEM #	CM-B	CM-SB	CM-C	CM-C+
1	Head System C1	L	I5351	■	■	x	x
	C2	L	I5352	x	x	■	■
1A	Head Needle Crown Cap	D	I5351D	■	■	■	■
1B	Head Nozzle Cap C1	G	I5351C	■	■	x	x
	C2	G	I5352C	x	x	■	■
1C	Head Nozzle C1	H	I5351B	■	■	x	x
	C2	H	I5352B	x	x	■	■
1D	Head Nozzle Base	J	I5351A	■	■	■	■
2	Head Packing	C	I5802	■	■	■	■
3A	CM-SB Body*	-	-	x	■	x	x
3B	CM-C Body*	-	-	x	x	■	x
3C	CM-B Body*	-	-	■	x	x	x
3D	CM-C Plus Body*	-	-	x	x	x	■
4	Needle Packing Screw (PTFE)	D	I5902	■	■	■	■
5	Needle Chucking Guide	C	I1157	■	■	■	■
6	Spring Guide	C	I5903	■	■	■	■
7	Needle Spring	B	I5701	■	■	■	■
8	Needle Spring Adjuster	E	I5751	■	■	■	■
9	Head Needle C1	E	I5404	■	■	x	x
	C2	E	I5402	x	x	■	x
	C2	E	I5403	x	x	x	■
10	Needle Chucking Nut	B	I5601	■	■	■	■
11A	Handle (Preset)	H	I5854	■	■	■	OPT
11B	Handle (Preset/Single Cut)	H	I5855	OPT	OPT	OPT	■

#	ITEM DESCRIPTION	PRICE CODE	ITEM #	CM-B	CM-SB	CM-C	CM-C+
12	Handle Crown Cap Dock (Preset)	E	I5861	■	■	■	■
13	Main Lever	D	I5454	■	■	■	■
14A	Valve Piston	B	I5001	■	■	■	■
14B	Valve Piston Packing	B	I5801	■	■	■	■
15	Air Valve Set	H	I5101	■	■	■	■
15A	Air Valve Body	-	-	■	■	■	■
15B	Air Valve	-	-	■	■	■	■
15C	Air Valve Spring	-	-	■	■	■	■
15D	Air Valve Guide	-	-	■	■	■	■
16A	Cup Lid 0.24 oz / 7 ml	E	I5301	x	x	■	OPT
16B	Cup Lid (Gravity) 0.24 oz / 7 ml	E	I6181	x	x	OPT	■
17	Blanking Cover	B	I0452	x	■	x	x
18	Cup (Side) 0.05 oz / 1.50 ml	G	I0703	x	■	x	x
19	Cup Packing Lower Lid	A	I1505	x	■	x	x
20	Cup Lower Lid 0.05 oz / 1.50 ml	B	I0956	x	■	x	x
21	Handle O-Ring	A	I6051	x	x	x	■
22	MAC Valve Set	D	I1901	x	x	x	■
23	MAC Valve Packing	A	I1902	x	x	x	■
24	Pistol-Grip Filter	N/A	FA 450	■	■	■	■
25	Spanner	B	I1651	■	■	■	■
	QuickFit Quick Disconnect Set	H	I1603	OPT	OPT	OPT	OPT
	QuickFit Quick Disconnect Airbrush Adaptor	C	I1604	OPT	OPT	OPT	OPT
	Airbrush Adapter for Paasche Air Hose	-	J001	OPT	OPT	OPT	OPT
	Airbrush Adapter for T&C/Badger Air Hoses	-	J002	OPT	OPT	OPT	OPT

■ = yes x = no OPT = optional
 *Replacement parts not available.



All Iwata airbrushes are warranted against all manufacturing defects of material and manufacture or workmanship for a period of FIVE years from date of purchase. This warranty does not cover needles, nozzles, o-rings and internal packings since these parts need to be replaced occasionally due to normal wear. Any other parts or materials that are or become defective so as not to be usable within this period will be repaired or replaced. This warranty does not cover damage caused by negligence or airbrushes which have been altered or abused in any way.

iwata

by ANEST IWATA

www.iwata-airbrush.com



エアブラシ PROFESSIONAL AIRBRUSHES

Custom Micron
AIRBRUSH SERIES

CM-B2・SB2・C2・CP2 (日本専用型式)

この取扱説明書に示された警告事項および注意事項は必ず守ってください。
使用時に不用意に色材が噴出したり、有機溶剤の吸引により重大な身体上の障害を起こすことがあります。

△印付きの下記マークは、安全上、特に重要な項目ですので必ずお守りください。

 警告	警告内容を怠った場合、人が死亡または重傷を負う可能性が想定されることを示します。
 注意	注意内容を怠った場合、人が傷害を負う可能性、または物的損害の発生する可能性が想定されることを示します。
重要	この記号は、機械の性能や機能を十分に発揮してお使いいただくために守っていただきたい内容を示しています。なお、本取扱説明書で示す安全事項は、必要最低限のものです。 国や自治体の消防、電気、安全関連の法規、規則、それぞれの企業や事業所で規則、規定として守るべき事項に従ってください。

安全にご使用いただくための警告事項

警告

火災と爆発

- 吹き付け作業場は、火気厳禁。
 - 色材は引火性があり火災の危険性があります。
(ラッカー、セラックスワニスなどの有機溶剤系)
 - たばこ、点火、電気機器等、引火の恐れがあるものは、必ず離れた所でご使用ください。
- 次のハロゲン化炭化水素系溶剤は使用しない。
化学反応により、本体（アルミニウム部分）にクラック、溶解が発生します。
不適合溶剤：塩化メチル、塩化エチル、二塩化メチレン、二塩化エチレン、四塩化炭素、トリクロロエチレン、1,1,1トリクロロエタン 等
(特殊な色材やシンナーは充分適合性を検討した上でご使用ください。適合性検討のための材質リストを提出する用意があります。)



機器誤用

- ボディペインティング、ネイルアート等の専用色材で吹き付けする用途以外、人体や動物に向けて絶対にスプレーしない。目や皮膚の炎症、人体への危険があります。
- 最高使用圧力以上のご使用は絶対に避けてください。エアブラシが、破損・破裂し非常に危険です。
- 洗浄、分解、保守作業をする前および作業中断時は、必ず色材と空気の圧力を逃がす。圧力が残っていると、誤作動、洗浄液の飛散により人体に危険があります。圧力を逃がす方法はエアブラシへの圧縮空気の供給を停止し、押しボタンを軽く押すことにより行います。



人体保護

- 吹き付け作業は、換気扇等を使用し換気の良いところで使用。換気が不十分ですと色材の吸い込みによる健康障害や引火の危険が増えます。
- 常に適切な服装または保護具を着用。(眼鏡、マスク、手袋) 目や皮膚に洗浄液等がつき炎症を起こします。目や皮膚に異常を感じたら直ちに医師の治療を受けてください。



その他

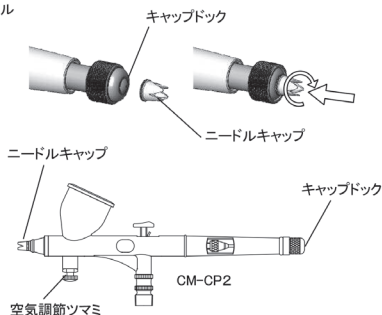
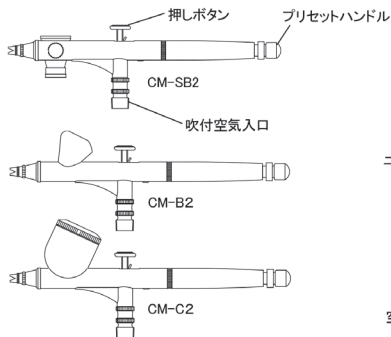
- 製品の改造はしない。十分な性能が発揮できないばかりか故障の原因となります。
- 食品用や化学薬品用には使用しない。色材通路内部の腐食による事故発生や異物混入による健康障害の可能性がります。

■主要仕様

形式	色材供給方式	噴霧方式	ヘッドシステム	容器容量 (ml)	最高吹付圧力 (MPa)	備考
CM-SB2	吸上式	丸吹き	C1	1.5	0.29	サイドボルト式
CM-B2	重力式			0.4		
CM-C2			C2	7		
CM-CP2						

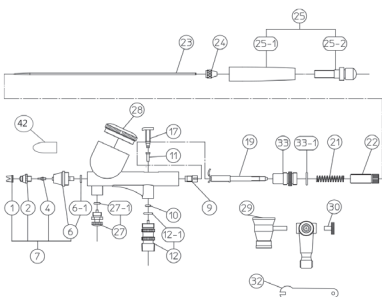
備考:

- 1) プリセットハンドルで色材噴出量が調整できます。
- 2) CM-CP2は、空気調節ツマミで空気噴出量が調整できます。
- 3) CM-SB2は、カップセットを左右どちらでも取付けできます。
- 4) 吹付空気圧力は、押しボタンを押し空気を流した時の吹付空気入口の圧力です。
- 5) キャップドックはニードルキャップの紛失を防ぐ機能です。ニードルキャップを外し、キャップドック部分に押し回し、取付けてください。
- 6) 使用温度範囲: 5~40℃



■ 部品構成

- ◎ 部品をご注文の際は、エアープランの形式および品名をご指定ください。
- ◎ 開封時、破損や欠品がないことを確認してください。
- ◎ 欠品、輸送上の損傷がある場合は、危険防止のため使用せず、お買い求めの販売店または当社営業所までご連絡ください。
- ◎ エアープラン形式は、本体に表示されています。



No.	部品名称	CM-B2	CM-C2	CM-SB2	CM-CP2	備考
1	ニードルキャップ	△	△	△	△	
2	ノズルキャップ	△	▲	△	▲	
4	ノズル	△	▲	△	▲	
6	ノズルベース	△	△	△	△	
6-1	ノズルベースリング	△	△	△	△	
7	ヘッドセット	△	▲	△	▲	
9	ニードルバネキネジ	△	△	△	△	
10	ピストンリング	△	△	△	△	
11	ピストン	△	△	△	△	
12	エアバルブセット	△	△	△	△	
12-1	ジョイントリング	△	△	△	△	
17	押しボタン	△	△	△	△	
19	オンボタンニードルチャック	△	△	△	△	
21	ニードルバネ	△	△	△	△	
22	ハネ調整ネジ	△	△	△	△	
23	ニードル	△	□	△	■	
24	ニードル止めネジ	△	△	△	△	
25	プリセットキャップセット	△	△	△	■	
25-1	プリセットキャップ	△	△	△	■	
25-2	プリセットハンドル	△	△	△	△	
27	空気調節ツマミセット				■	オプション付
27-1	リング(5×1)				■	
28	カップフタ		□		■	
29	サイドボルト			□		
30	カバー			□		
32	スプナ	△	△	△	△	
33	スプリングガイドネジ	△	△	△	△	
33-1	ヘッドリング				□	
42	ノズルキャップシーラー	△	△	△	△	

- ◆印は消耗品です。
- △印は共通部品を示します。□印は専用部品を示します。
- ※風船No.32 スプナは、風船No.4 ノズル取外し時(洗浄および交換)に使用する専用部品です。

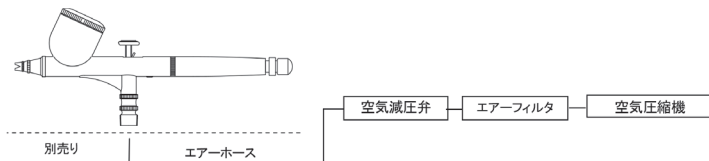
■ 使用方法

● 接続方法

△ 注意

- ・エアークレナーを通した圧縮空気を使用してください。作業に使用する空気が汚れていると吹き付け不良を起こします。
- ・購入後初めてご使用になる際は、色材通路内部の防錆油を取り除くため、洗浄液を吹き内部の洗浄を行ってください。防錆油が残っていると、はじき等の吹き付け不良の原因となります。
(はじき:塗膜が押しつけられたような凹みが生じる現象)
- ・エアークレナー、色材容器は、エアークレナーにしっかりと固定してください。
- ・エアークレナーの外れ、容器の落下により、人体に傷害を起こす可能性があります。

- 1) エアークレナーは、エアークレナー専用の細いホースを使用してください。φ2×φ4mmチューブ(HPA-SH32)等
- 2) 吹付空気圧力は、0.10~0.29MPaにて使用します。一定圧力の空気を取り出すためには空気減圧弁、空気圧縮機から出る水、油、塵埃を除去するためにはエアークレナーを使用してください。

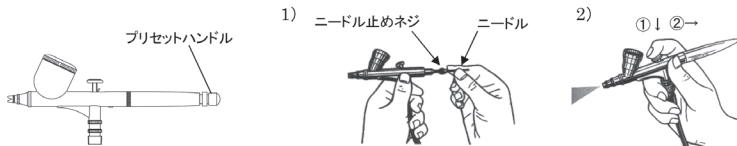


● 吹き付け

重 要

- ・ノズルが詰まる場合がありますので、色材を細かい紙にて充分ろ過してから使用してください。
- ・プリセットハンドルは、ニードルの引きしろを調節しながら色材噴出量を調節するものです。軽くねじ込み、当たった位置がニードル全閉の位置です。決してプリセットハンドルを全閉の位置から締め込まないでください。さらに締め込みますと、ノズルが破損します。
- ・CM-SB2用カバーは調整しないでください。本体のカバーであり調整部ではありません。
- ・ノズルキャップ、ノズルの内径には、絶対キズを付けないでください。噴霧状態が悪くなる原因となります。
- ・種類の異なる色材(例:塗料と染料)を混ぜると色材の粘度が上がり、吹き付け不能となりますのでご注意ください。

- 1) 使用前にニードル止めネジをゆるめ、ニードルをノズルに当たるまで静かに押し込み、ニードル止めネジを再び締めおきます。洗浄液をカップに入れ、色材通路を洗浄してください。
- 2) 吹き始めは、①押しボタンを人差指または親指で下へ押し空気を出します。②空気を出しながら手前に引きますと色材を噴出します。吹き終わりは、必ず押しボタンを前に戻してから指を離してください。押しボタンを下に押さない(空気が出ない状態)で手前に引きますと色材がタレます。



エアークレナーを画面に近づけたり離したりすると図のようにボタン幅が変わります。



● 保守

⚠ 警告

- ・安全にご使用いただくための警告事項の機器誤用3項に従い、圧力を完全に逃がしてから作業してください。圧力が残っていると、誤作動、洗浄液の飛散により人体に危険があります。
- ・ニードルの先端がとがっているため、ご自身および他の人がケガをしないよう、取扱と保管には十分注意をして作業を行ってください。

保守方法	重 要
<p>1. 使用後は、カップ内に残った色材を捨て、水またはクリーナーで十分に洗浄してください。… 図①</p> <ul style="list-style-type: none"> ・ノズルキャップを図②-1のように1mm程度ゆるめ、水またはクリーナーをカップに入れ、押しボタンを押しエアーをノズル内で逆流させることでノズル内を洗浄します。(丁度うがいを行うような効果が得られます) … 図②-2 ・ニードルを引き抜き、付着物を取り除きます。洗浄後はニードルがノズルに当たるまで戻します。… 図③ 	<p>1. 洗浄不良は、パタン形状や粒子の不具合の原因となります。</p> <ul style="list-style-type: none"> ・ニードル先端およびノズルは、きわめて弱い部分ですから丁寧に扱ってください。
<p>2. 各部の洗浄は、洗浄液で浸したブラシで行い、ウエス等で拭き取ります。… 図④</p>	<p>2. エアーブラシ全体をシンナー等の液中に浸さないでください。</p> <ul style="list-style-type: none"> ・長時間浸漬した場合、Oリングおよびパッキン類の損傷原因になります。 ・洗浄時、ノズルキャップ、ノズルの各噴出穴およびニードルは、絶対にキズをつけないでください。噴霧態が悪くなる原因となります。
<p>3. 分解する前は、色材通路内部を十分洗浄します。</p>	<p>3. ノズルを外す場合は、専用スパナを使用してください。シート部保護のため押しボタンを引き、ニードルを引いた状態で行ってください。</p>


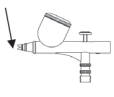
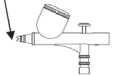


エアーブラシ全体を液体に浸さないで下さい。カップに塗料、洗浄液、などを入れたままエアーブラシを保管しないで下さい。

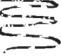

● 点 検

点 検 箇 所	部 品 交 換 基 準
1. キャップセットおよびノズルの各穴の通路	<ul style="list-style-type: none"> ・つぶれ、変形がある場合
2. パッキン、Oリング類	<ul style="list-style-type: none"> ・変形、摩耗の場合
3. ノズル、ニードル間のシート漏れ	<ul style="list-style-type: none"> ・ノズル、ニードルの洗浄を十分行っても、漏れがある場合 ・ノズル単品、ニードル単品で交換する場合、ニードル止めネジをゆるめ、ニードルがノズルに当たっている状態でニードルを2～3回、回すこと(摺り合わせ)を実施し、漏れがないことを確認してください。 ・ノズル交換の際、ノズル専用スパナを使い、加減しながら適度に締め付けてください。他の工具の使用は、ネジ折れや芯狂いの原因となります。
4. ニードルの先端	<ul style="list-style-type: none"> ・曲り折れがある場合 ・ニードルの曲がったものを元に直しても使用できません。ニードル先端の曲り、折れは噴霧状態が悪くなるばかりでなく、ノズル先端や内径にキズをつける原因となりますので、速やかに新品と交換してください。

■ 故障・対策

状 況	発生箇所	チェック箇所	原 因	対 策				
				締め増し	調 整	洗 浄	部 品 交 換	
空気漏れ		エアジョイント	シート面のゴミ、キズ			○	○	
		バルブバネ	バルブバネのヘタリ				○	○
		Oリング	劣化・キズ・ゴミ			○	○	○
色材漏れ		ノズル～ニードル	シート面のゴミ・キズ・摩耗			○	○	
		ノズル～本体	ノズル締め付け不適	○				
			シート面のゴミ・キズ			○	○	
		ニードルバネ～スプリングケース	ニードルバネのヘタリ					○
			ニードルパッキンネジのゆるみ	○				
		ニードル～ニードルパッキンネジ	ニードルへの色材固着によるニードル戻り不良		○	○		
	ニードル～ニードル止めネジ	ニードル引代調整の不適			○			
		ニードル止めネジのゆるみ	○					
色材出ず		エアブラシ先端	ノズル	穴の詰り、ゴミ、固着		○		
			ニードル止めネジ	ゆるみ	○			
			ニードルキャップ～ノズルキャップ	内部の汚れ			○	
			ニードル	先端色材固着			○	

■ 不完全パタン原因・対策

パタン	原 因	対 策
荒粒子(スキッピング) 	ニードル先端の色材が固着	ニードル先端の清掃
	ノズルと本体との取り付けネジ部より空気が混入	ノズルを外し、ネジ部を清掃した上で再度取り付け
	ノズル先端が、ノズルキャップより引っ込んでいる	ノズルキャップを締め付ける
粗粒子(スパッタリング) 	ノズル、ニードル、ニードルキャップ先端に色材が固着	ノズル、ニードル、ニードルキャップの掃除
	ニードル先端の曲り、ノズル先端の割れ、キズ	部品交換
	ノズルの詰り	清掃
	吹付空気圧力が低い	高くする
	色材が濃い	薄くする

- ・保証期間は、お買いあげの日から5年です。
- ・万一、故障の場合は、お買いあげの販売店または当社支店・営業所までご連絡ください。保証期間中は、無償修理いたします。
- ・本製品の故障または不具合に伴う生産補償、営業補償など二次損失に対する補償は致しませんので、ご了承ください。
- ・次の場合は保証期間内でもお客様のご負担(有償)になります。
 - ・取扱説明書の注意事項を守られなかったことによる故障および損傷
 - ・お客様の取扱上の不注意による故障および損傷・消耗品の交換・修理
 - ・天災、地変、火災、地震、水害、塩害、落雷、公害などによる故障および損傷
 - ・純正部品以外の部品が使用されている場合
 - ・指定の修理店以外による修理がなされている場合
- ・保証は日本国内においてのみ有効です。
This Warranty is valid only in japan.

【お問い合わせ窓口】

- ◆修理・保守に関するお問い合わせ
- ◆技術的なお問い合わせ、ご意見、ご希望など当社支店・営業所又はお客様相談室までご連絡下さい。
(支店・営業所のお問い合わせ先は当社ホームページをご確認ください)

お問合せは

 **アネスト岩田株式会社**

札幌駐在所 TEL 011-831-6141 FAX 011-831-6144
東北営業所 TEL 022-284-1257 FAX 022-208-5930
北関東支店 TEL 0480-96-7001 FAX 0480-96-7003
関東支店 TEL 045-595-3660 FAX 045-595-3661

中部支店 TEL 052-412-3221 FAX 052-412-3229
関西支店 TEL 06-6458-5971 FAX 06-6458-5978
福岡営業所 TEL 092-433-1085 FAX 092-433-1103

 お客様
相談室



0800-100-1926

 ホーム
ページ

<https://www.anest-iwata.co.jp>

※携帯・PHSからもご利用いただけます。